

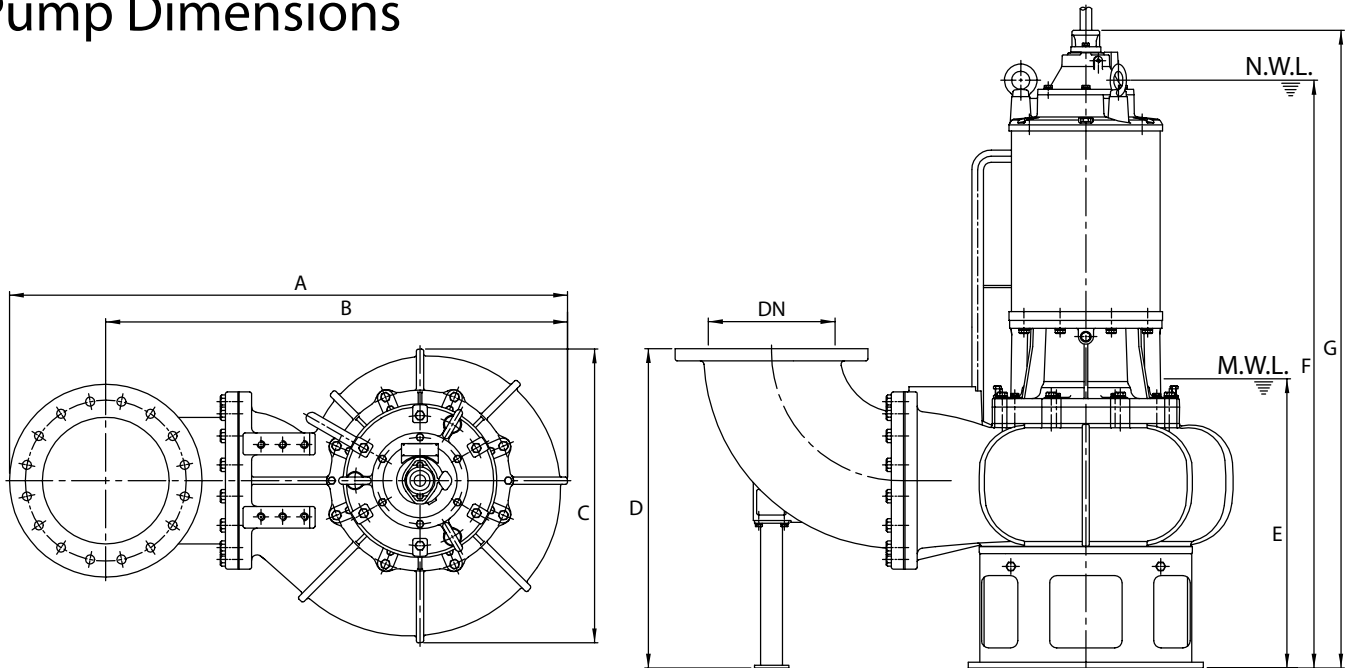


Dimensional Drawing

SNC Models
01/15/2005

SNC-10-XX-400; SNC-10-XX-500; SNC-10-XX-600

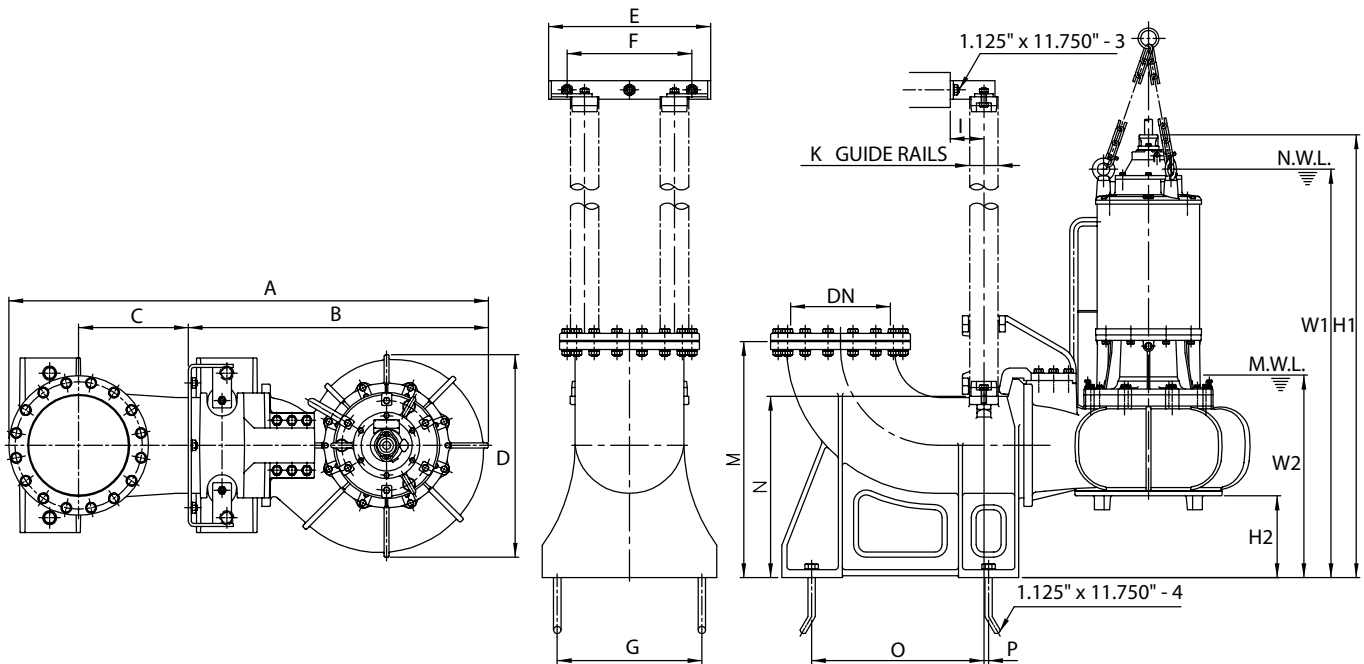
Pump Dimensions



TYPE	DN	A	B	C	D	E	F	G
SNC-10-XX-400	9.88	50.13	42.13	26.63	26.88	26.00	-	63.88
SNC-10-XX-500	9.88	50.13	42.13	26.63	26.88	26.00	-	63.88
SNC-10-XX-600	9.88	50.13	42.13	26.63	26.88	26.00	-	63.88

N.W.L.: Normal water level
M.W.L.: Minimum water level

Easy Lift GRS - Guide Rail System Dimensions



TYPE	DN	A	B	C	D	E	F	G	I	K	M	O	P	W1	W2	H1	H2
SNC-10-XX-400	10	61.38	40.38	13.00	26.63	18.13	13.38	14.18	4.75	2.50	25.63	15.18	1.75	55.63	23.75	61.50	8.00
SNC-10-XX-500	10	61.38	40.38	13.00	26.63	18.13	13.38	14.18	4.75	2.50	25.63	15.18	1.75	55.63	23.75	61.50	8.00
SNC-10-XX-600	10	61.38	40.38	13.00	26.63	18.13	13.38	14.18	4.75	2.50	25.63	15.18	1.75	55.63	23.75	61.50	8.00

All dimensions are in inches unless otherwise noted.

SNC-10 models must remove base when using Easy Lift GRS - Guide Rail System.